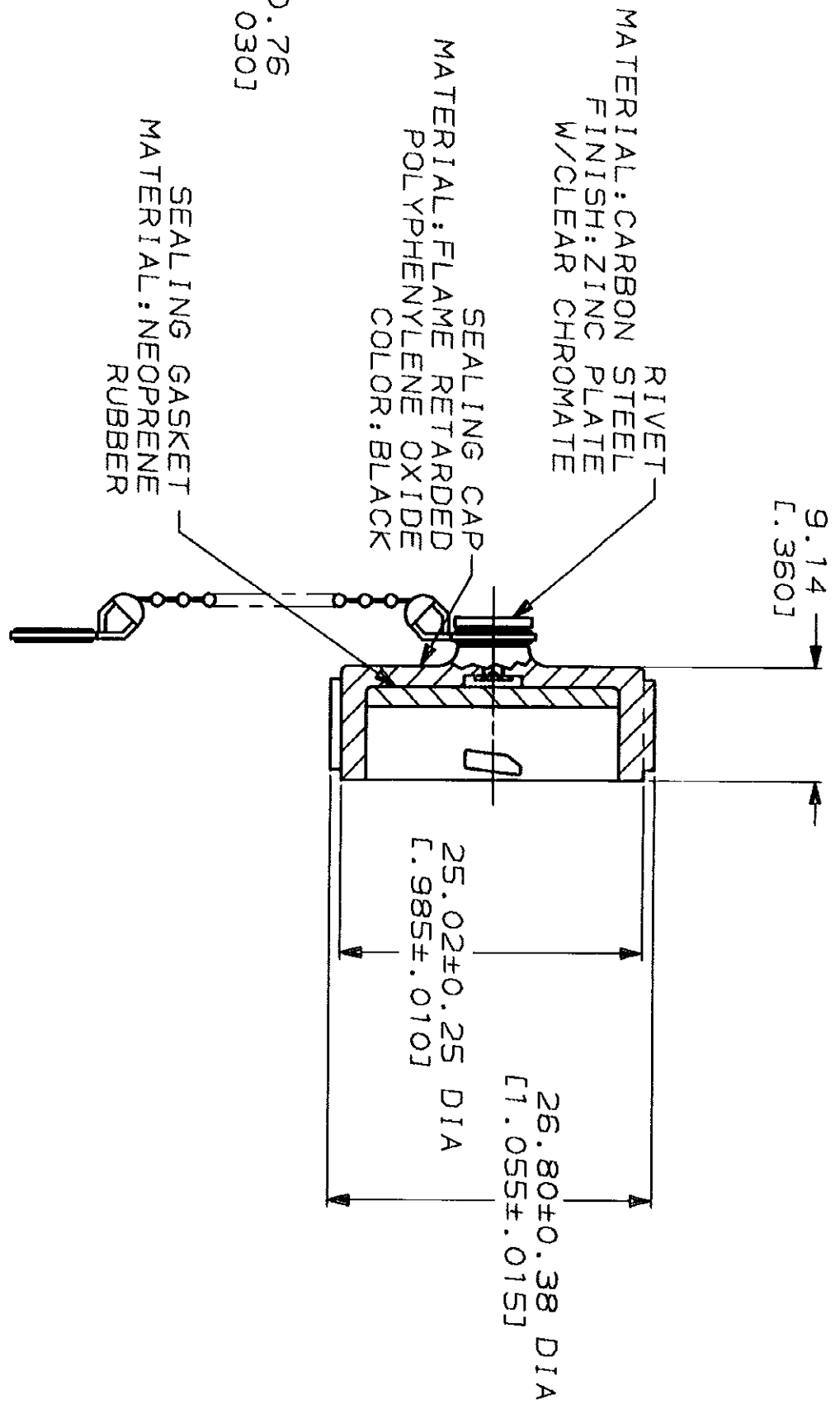
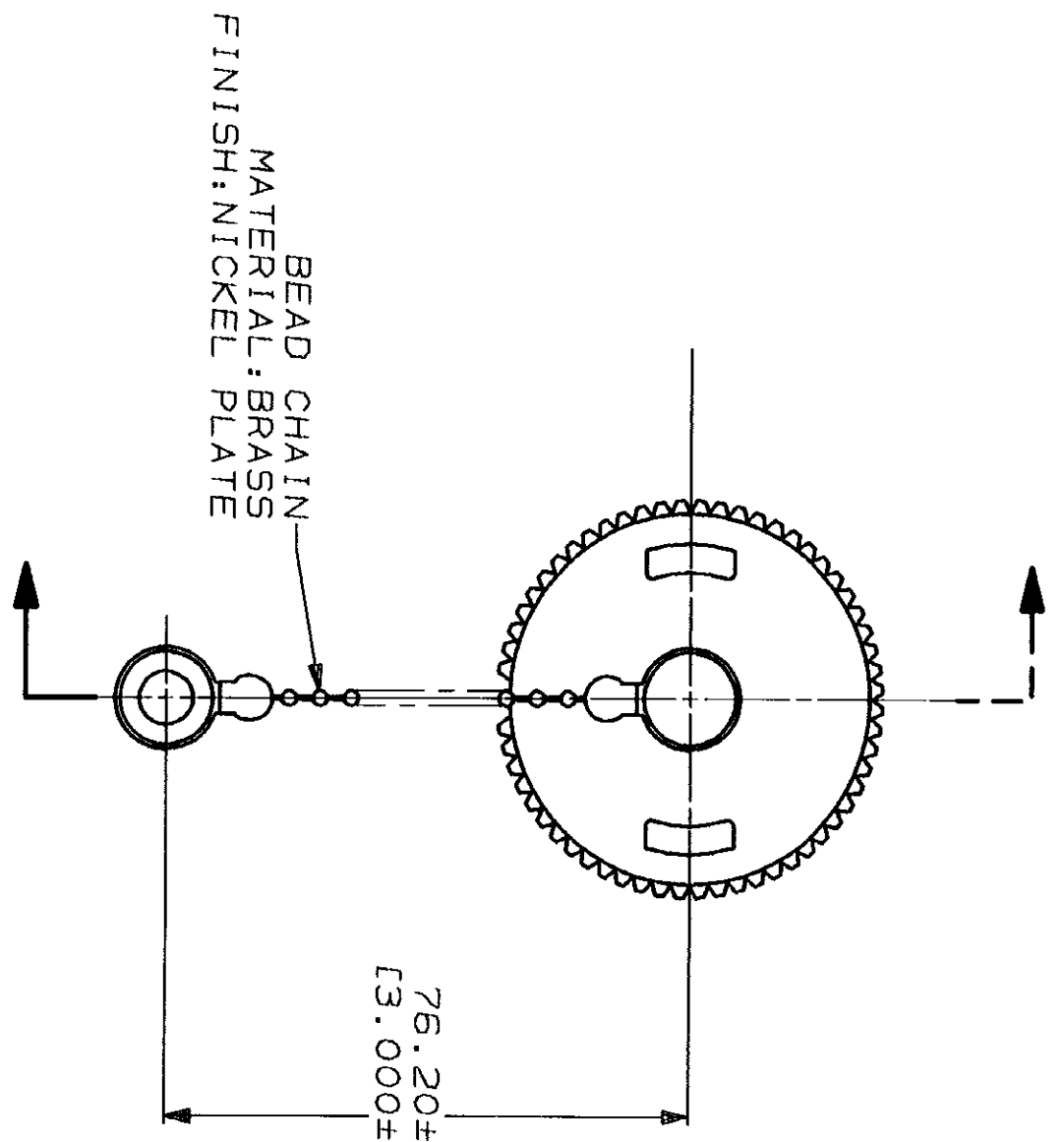


THIS DRAWING IS UNPUBLISHED. RELEASED FOR PUBLICATION BY AMP INCORPORATED. ALL INTERNATIONAL RIGHTS RESERVED. © COPYRIGHT 19

MOD 4 LOC BD DIST 35

P F ZONE LTR A

REVISIONS DESCRIPTION DATE APPD REDRAWN & REV PER EC 0020-680-93 6-9-93 AF



THIS DRAWING IS A CONTROLLED DOCUMENT FOR AMP INCORPORATED. IT IS SUBJECT TO CHANGE AND THE CONTROLLING ENGINEERING ORGANIZATION SHOULD BE CONTACTED FOR THE LATEST REVISION.

DO NOT SCALE PRINT. UNLESS SPECIFIED DIMENSIONS IN MM (INCHES) TOLERANCES ON: 2 PLC DEC # 0.13(.005) 3 PLC DEC # - ANGLES -	DR 6-9-93 D.BROCKWAY	AMP	PART NO
MATERIAL SEE CALLOUTS	CHK 7-1-93 R. STONE	AMP Incorporated Harrisburg, PA 17105-3608	213485-1
FINISH SEE CALLOUTS	APPD 7-1-93 AL FRANTUM	NAME SEALING CAP ASSY, SIZE 13, W BEAD CHAIN, CPC	PART NUMBER
APPLICATION SPEC	APPD 7-1-93 AL FRANTUM	SIZE B	CAGE CODE 00779
WEIGHT -	PRODUCT SPEC	SCALE 2:1	DRAWING NO G-213485
			SHEET 1 OF 1

CUSTOMER DRAWING